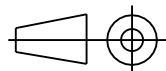
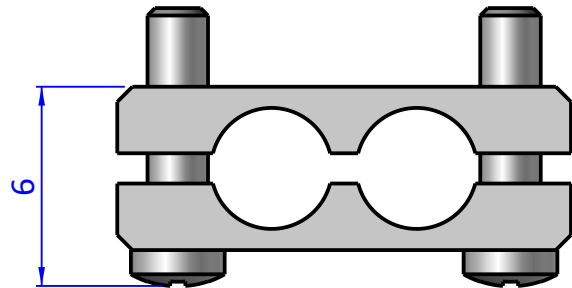
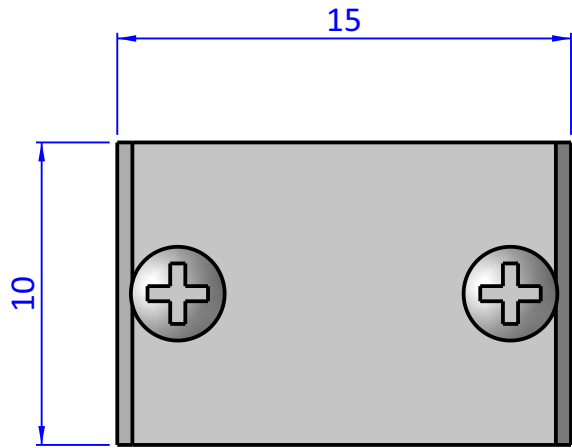
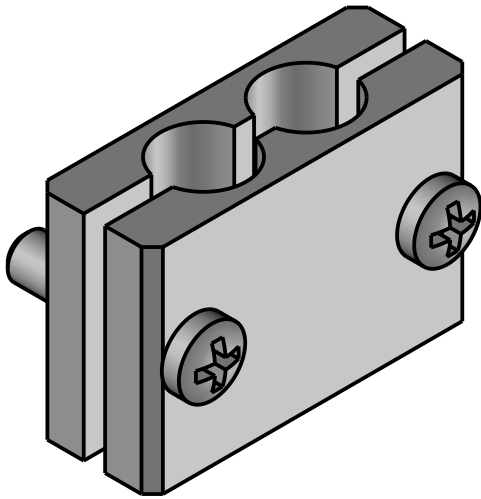


THE PROPERTY OF THE DRAWING IS ESTABLISHED BY LAW. IT IS FORBIDDEN TO PRODUCE OR SHOW IT TO THIRD PART. WITHOUT A WRITTEN AGREEMENT.



DESIGNED FROM	FPS Automation	REVIEW	A
DATE	01/04/2023	WEIGHT	-
CODE	CA.I.SGSP.25		

Format	A4	GENERAL TOLERANCE	UNI - ISO 2768	DESCRIPTION	CA.I.SGSP.25
	UNI 936-76	CLASSE	f		